

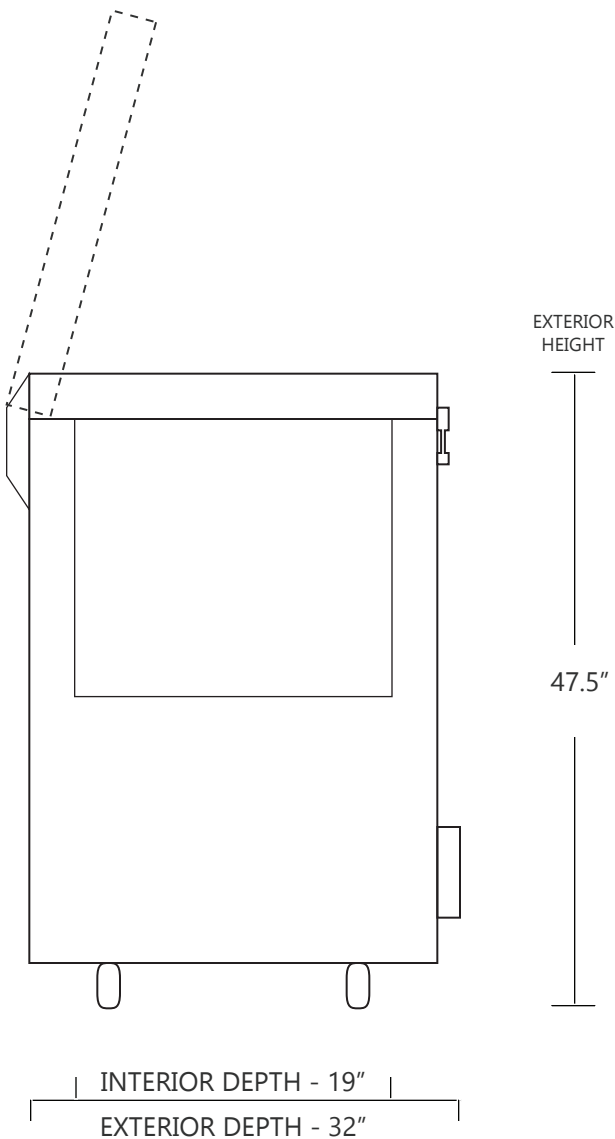
# MODEL VSC85-12

## 12 CUBIC FOOT ULTRA LOW TEMPERATURE FREEZER

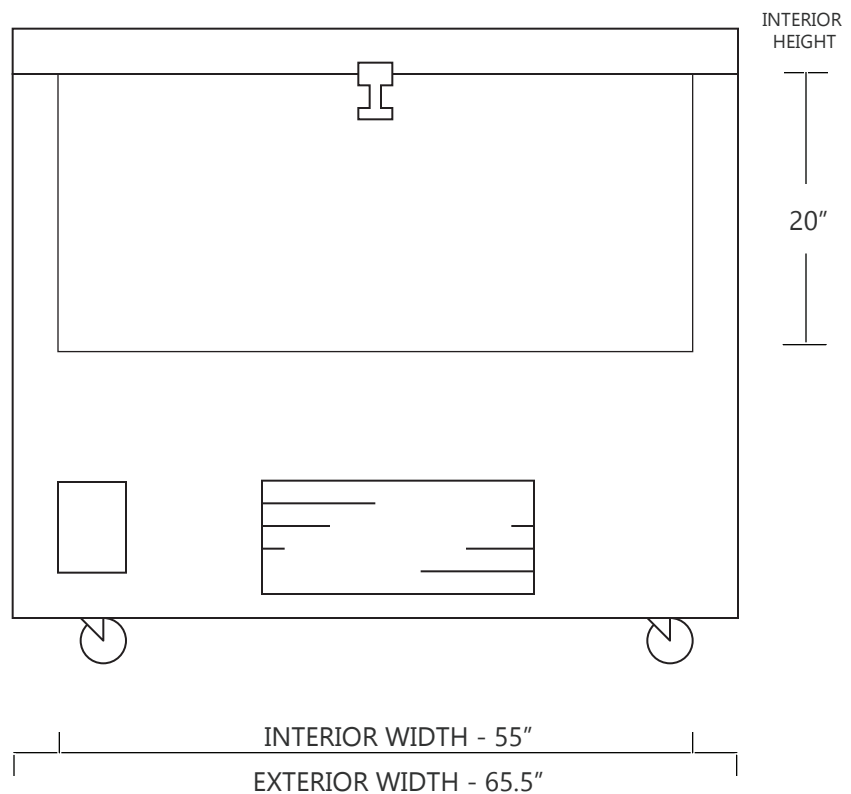
|                     | WIDTH   | DEPTH | HEIGHT  | WIDTH  | DEPTH  | HEIGHT |
|---------------------|---------|-------|---------|--------|--------|--------|
| INTERIOR DIMENSIONS | 55 IN   | 19 IN | 20 IN   | 139 CM | 48 CM  | 50 CM  |
| EXTERIOR DIMENSIONS | 65.5 IN | 32 IN | 47.5 IN | 166 CM | 81 CM  | 120 CM |
| CRATED DIMENSIONS   | 70 IN   | 41 IN | 57 IN   | 177 CM | 101 CM | 139 CM |

NOTE THAT THE FREEZER LID CAN OPEN UP TO APPROXIMATELY 75° FROM HORIZONTAL POSITION

### SIDE VIEW



### FRONT VIEW



# SO-LOW

WWW.SO-LOW.COM



NET WEIGHT : 650 LBS.  
SHIPPING WEIGHT: 825 LBS.

### SHIPPING OPTIONS

DOCK-TO-DOCK DELIVERY ( REQUIRES FORKLIFT OR PALLET JACK )  
DOCK-TO-DOCK DELIVERY WITH LIFTGATE ( REQUIRES FORKLIFT OR PALLET JACK )  
INSIDE DELIVERY ( WHITE GLOVE DELIVERY )